

**Series 8, fully-integrated dishwasher,
60 cm
SMV8YCX01E**



- **Max Flex Pro baskets:** highest flexibility and protection for your dishes, with superior sliding performance.
- **Silence Plus:** remarkably quiet at 43dB.
- **Home Connect:** home appliances with smart connectivity for an easier everyday life.
- **Extra Clean Zone:** extra thorough cleaning for heavily soiled items in the upper basket.
- **Favourite function:** personalized function by just one touch.

Technical Data

Energy Efficiency Class (Regulation (EU) 2017/1369): B
 Energy Consumption for 100 cycles Eco Programme (EU 2017/1369): 65 kWh
 Maximum number of place settings (EU 2017/1369): 14
 The water consumption of the eco programme in liters per cycle (EU 2017/1369): 9.5 l
 Programme duration (EU 2017/1369): 3:55 h
 Airborne acoustical noise emissions (EU 2017/1369): 43 dB(A) re 1 pW
 Airborne acoustical noise emission class (EU 2017/1369): B
 Cleaning performance: A
 Water consumption: 9.5 l
 Total annual energy consumption 220 days: 163 kWh
 Total annual water consumption 220 days: 2090 l
 Built-in / Free-standing: Built-in
 Removable top: No
 Door panel options: Not possible
 Height of removable worktop: 0 mm
 Height of the appliance: 815 mm
 Adjustable feet: Yes - all from front
 Maximum adjustability feet: 60 mm
 Net weight: 45.1 kg
 Gross weight: 47.0 kg
 Connection Rating: 2400 W
 Fuse protection: 10 A
 Voltage: 220-240 V
 Frequency: 50; 60 Hz
 Length electrical supply cord: 175.0 cm
 Plug type: GARDY plug w/ earthing
 Length inlet hose: 165 cm
 Length outlet hose: 190 cm
 Hidden heating element: Yes
 Water protection system description: Triple water protection 24h
 Child safety devices: No
 Water softener: Yes
 Top basket type: R4
 Adjustable upper basket: Rackmatic 3-stage
 Bottom basket type: R4
 3rd Rack: 3rd Rack 2.1
 Optional accessories: SGZ0IC00, SGZ1010, SGZ8BI00, SMZ1051EU, SMZ2014, SMZ2056, SMZ5003, SMZ5005, SMZ5035, SMZ5300
 Included accessories 2: vapor barrier plate
 Number of place settings: 14
 Color / Material panel: Grey
 Dimensions of the product (HxWxD): 815 x 598 x 550 mm
 Dimensions of the packed product (HxWxD): 880 x 670 x 660 mm



Series 8, fully-integrated dishwasher, 60 cm SMV8YCX01E

BOSCH - Header 1

- Noise level (silence programme): 41 dB(A) re 1 pW
- Home Connect enabled via WLAN

BOSCH - Header 2

- 8 Programmes: Eco 50 °C, Auto 45-65 °C, Intensive 70 °C, Express 60 °C, Express 45 °C, Glass 40 °C, Silence 50 °C, Pre-Rinse
- Favourite Program
- 5 special options: Remote Start, Extra Dry, Intensive Zone, Hygiene+, SpeedPerfect+
- Machine Care

BOSCH - Header 3

- Zeolite-Drying
- AquaSensor
- DosageAssist
- EcoSilence Drive
- Detergent Automation
- Self-cleaning filter system with 3-fold corrugated filter
- Interior tub material: Stainless Steel

BOSCH - Header 4

- Max Flex Pro Baskets with red coloured touchpoints
- Extra Clean Zone
- VarioDrawer Pro
- Easy Slide pullout system on upper rack
- Low friction wheels on lower rack and 3rd loading level
- Colored anti-slip protection strips in upper rack
- Rack Stopper to prevent derailing of bottom basket
- Rackmatic height-adjustable top basket (3 stage)
- 6 foldable plate racks in top basket
- 8 FlexTines in bottom basket
- 2 cup shelves with soft silicone front part in top basket
- 2 cup shelves in bottom basket
- Glass rack in bottom basket

BOSCH - Header 5

- Touch Control (metallic)
- EmotionLight
- Push button top controls
- Panel legend: Plain text (english)
- TimeLight
- Real-time clock
- Electronic delay timer: 1-24 hours

BOSCH - Header 6

- AquaStop: Bosch warranty in case of water damage – for the lifetime of the appliance.*
- Precise glass protection technology
- incl. salt filling funnel
- Incl. Steam protection plate

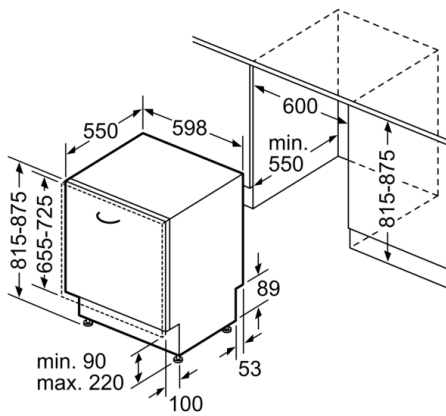
BOSCH - Header 7

- Product dimensions (HxWxD): 81.5 x 59.8 x 55 cm

BOSCH - Header 8

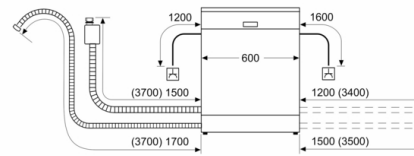
** Please find warranty terms under [please insert here the local URL (internet address, e.g. <https://www.bosch-home.com/> but with the direct page with the warranty terms)*

Series 8, fully-integrated dishwasher, 60 cm SMV8YCX01E



measurements in mm

measurements in mm



▲ socket
() values with extension kit